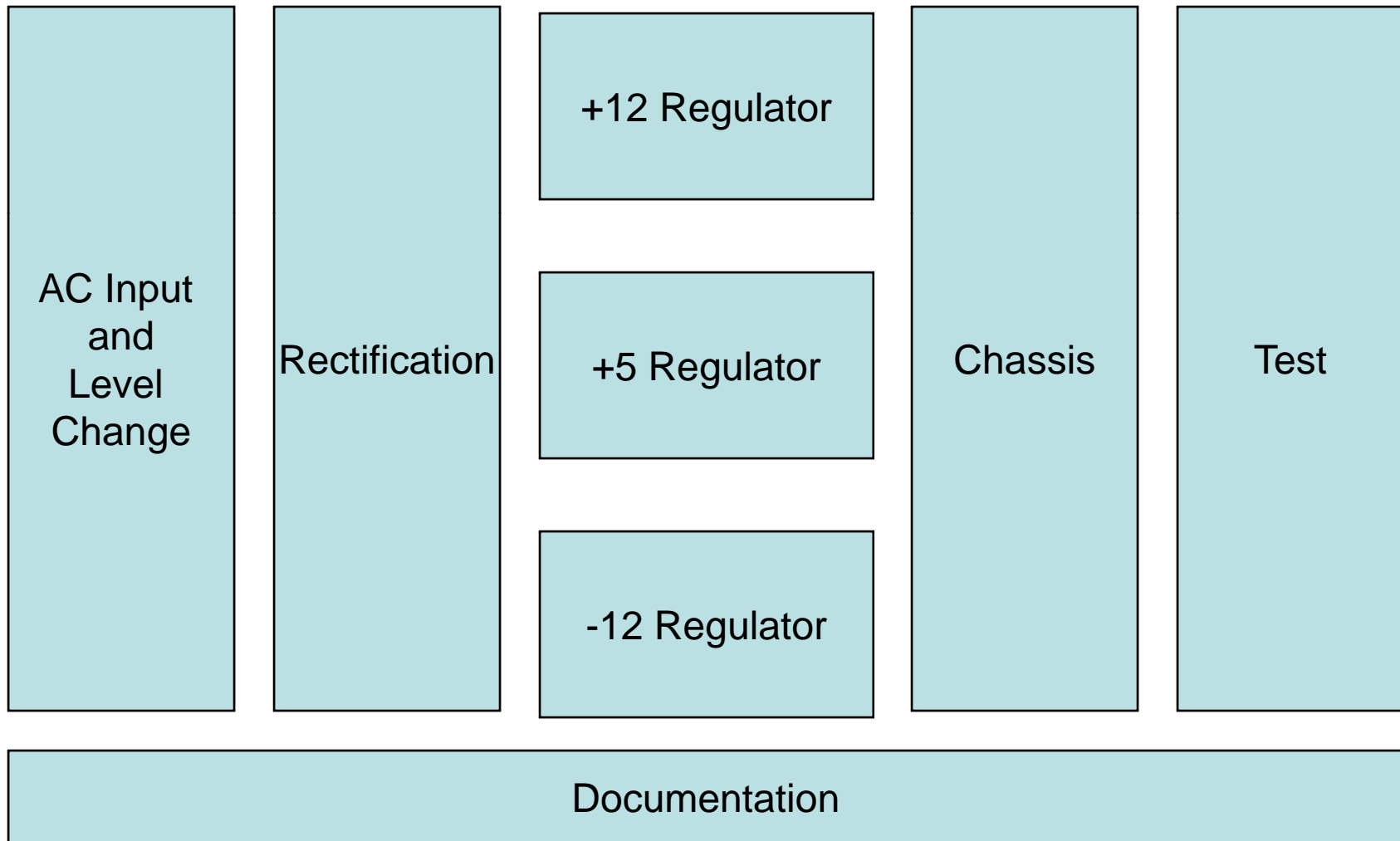


# Creating a Block Diagram

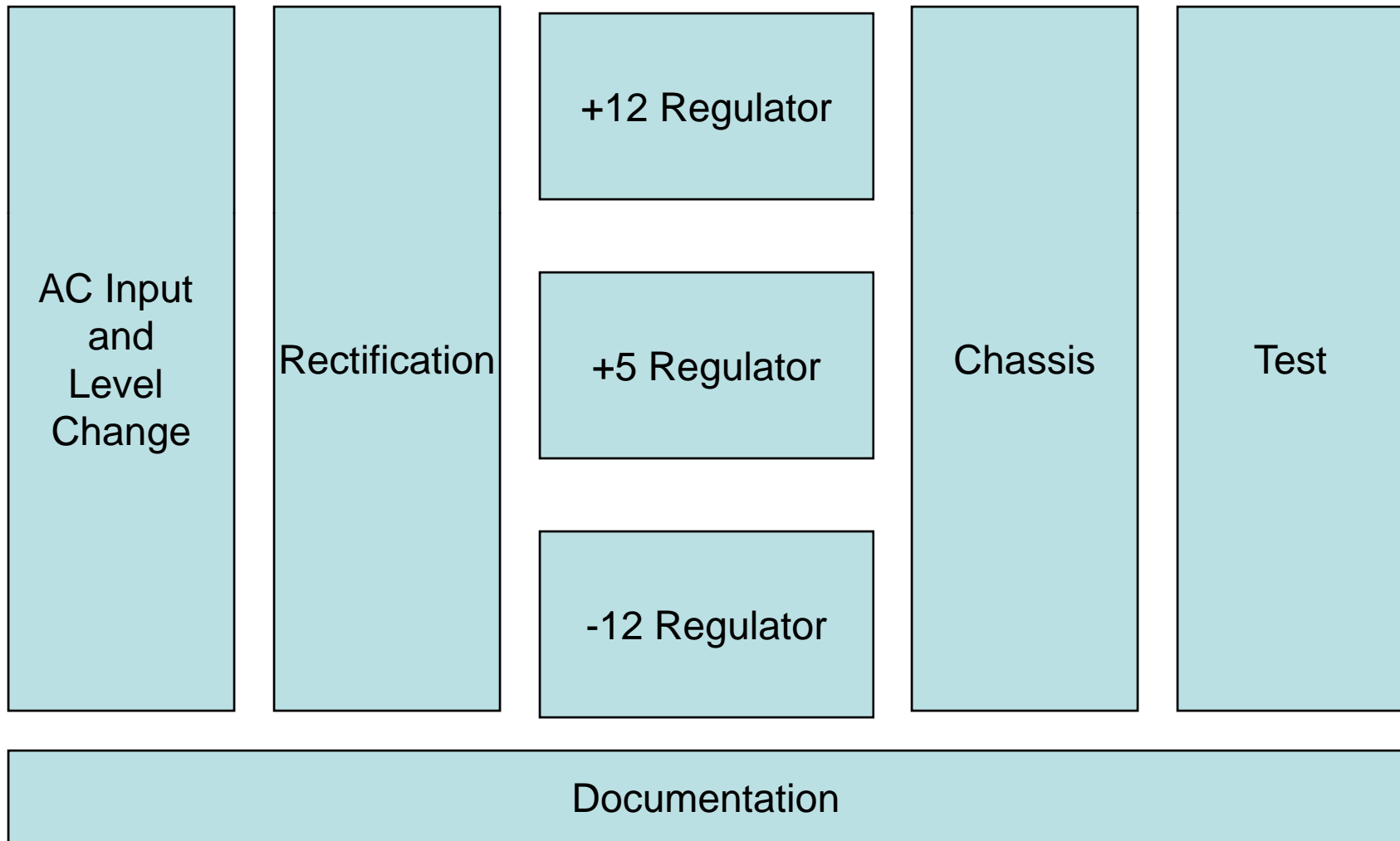
# Power Supply

- Fixed Outputs:
  - +12V DC at 2 Amps
  - 12V DC at 2 Amps
  - +5V at 1 Amp
- Output ripple less than 10 mV
- Outputs must be fused and short circuit protected
- Packaged in metal case

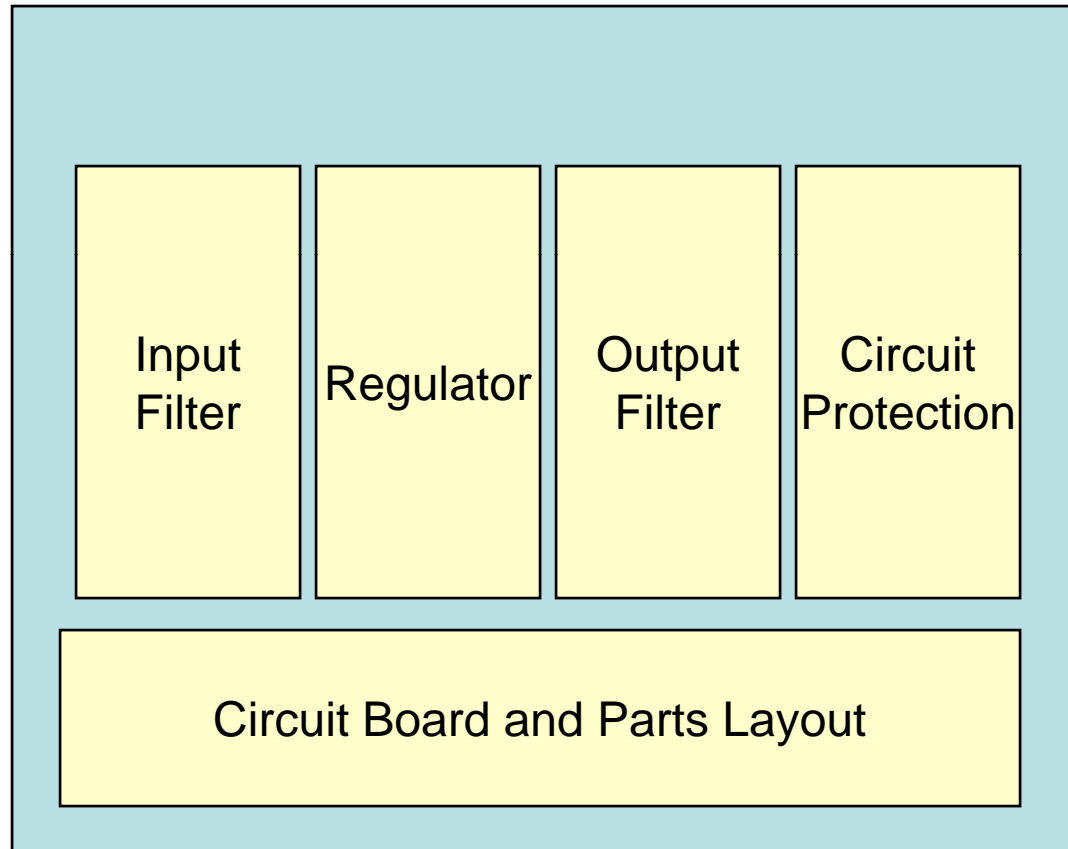
# Project Tasks



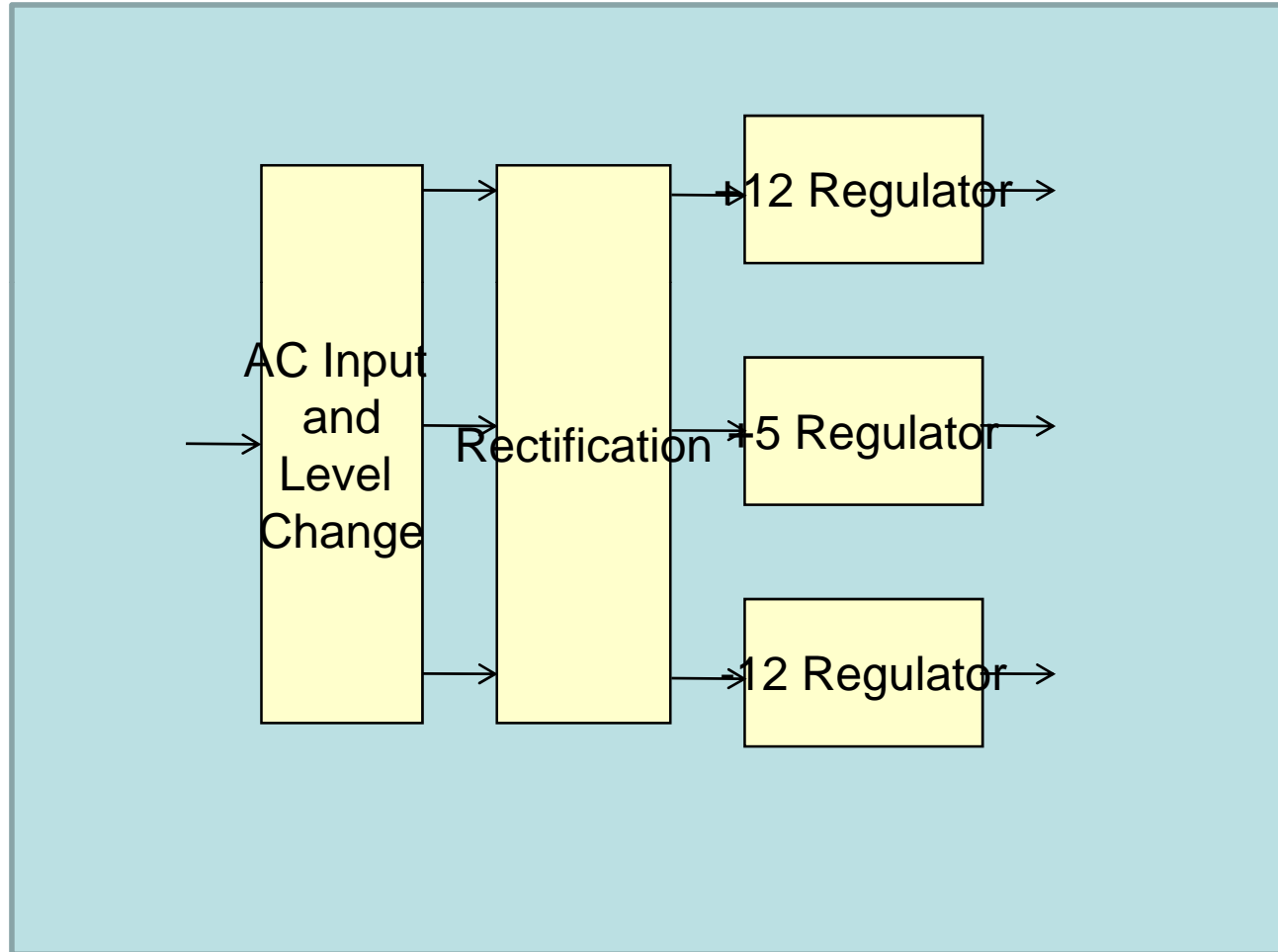
# Project Tasks



# 12 Volt Regulator



# Engineering Decisions



# Defining Interfaces

